

PARTS LIST

HT233D-01

CONTENTS

1. MAIN BODY	1 ~ 4
2. ENGINE	5 ~ 8
3. CARBURETOR, FUEL TANK	9 ~ 10
4. ACCESSORIES	11 ~ 12

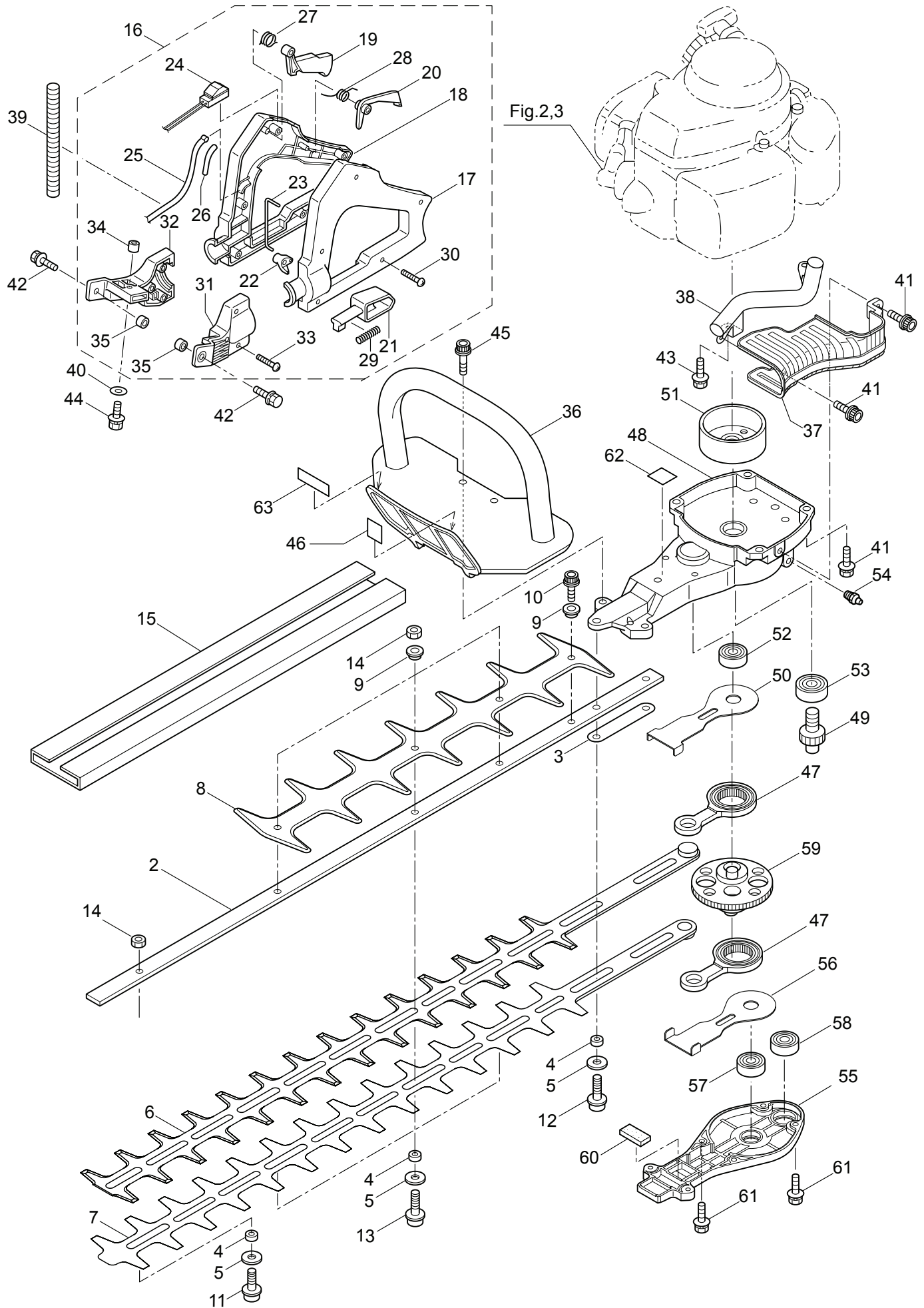
2013. 03.



MARUYAMA

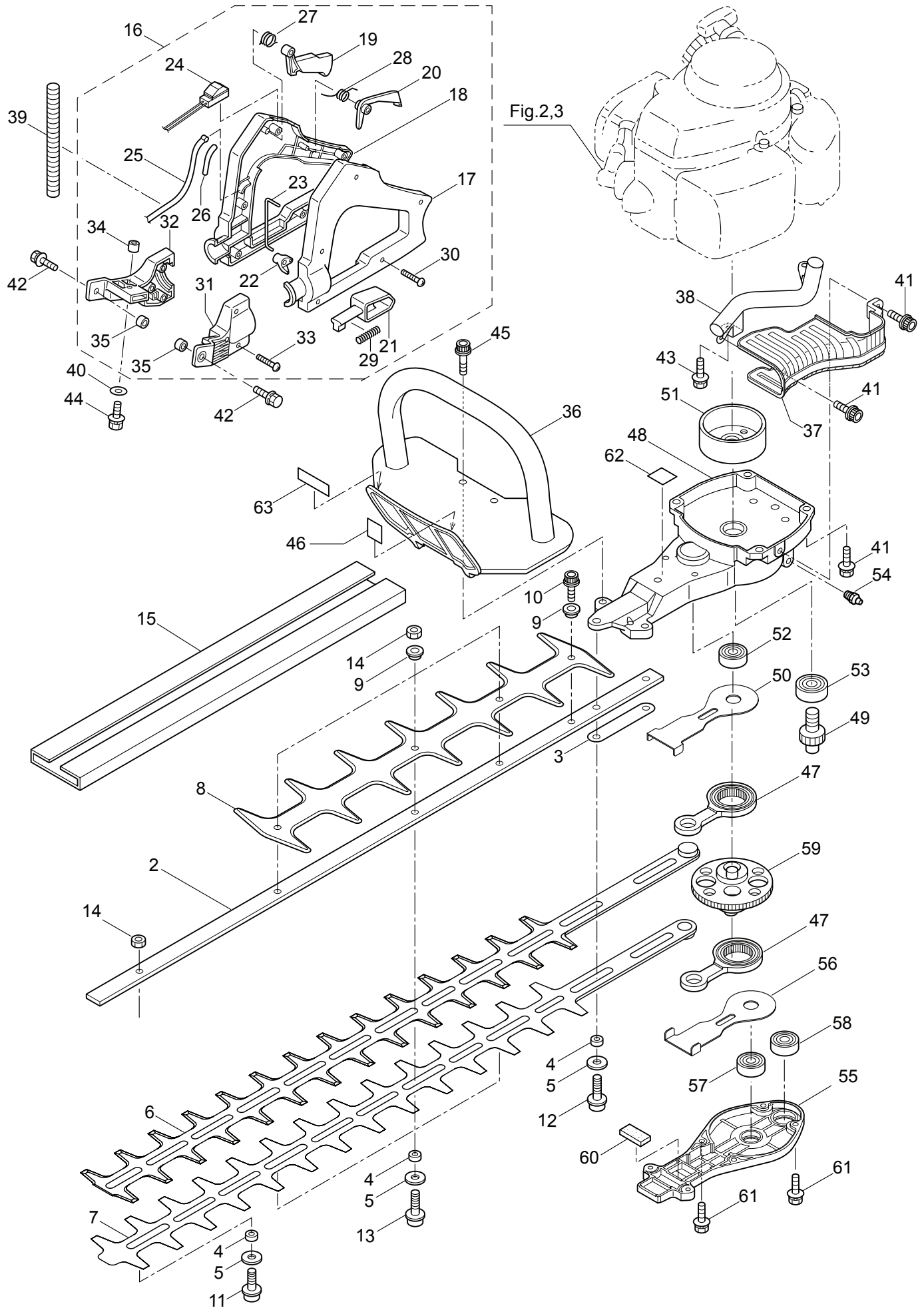
P/N 523496-2

1. HT233D-01
MAIN BODY



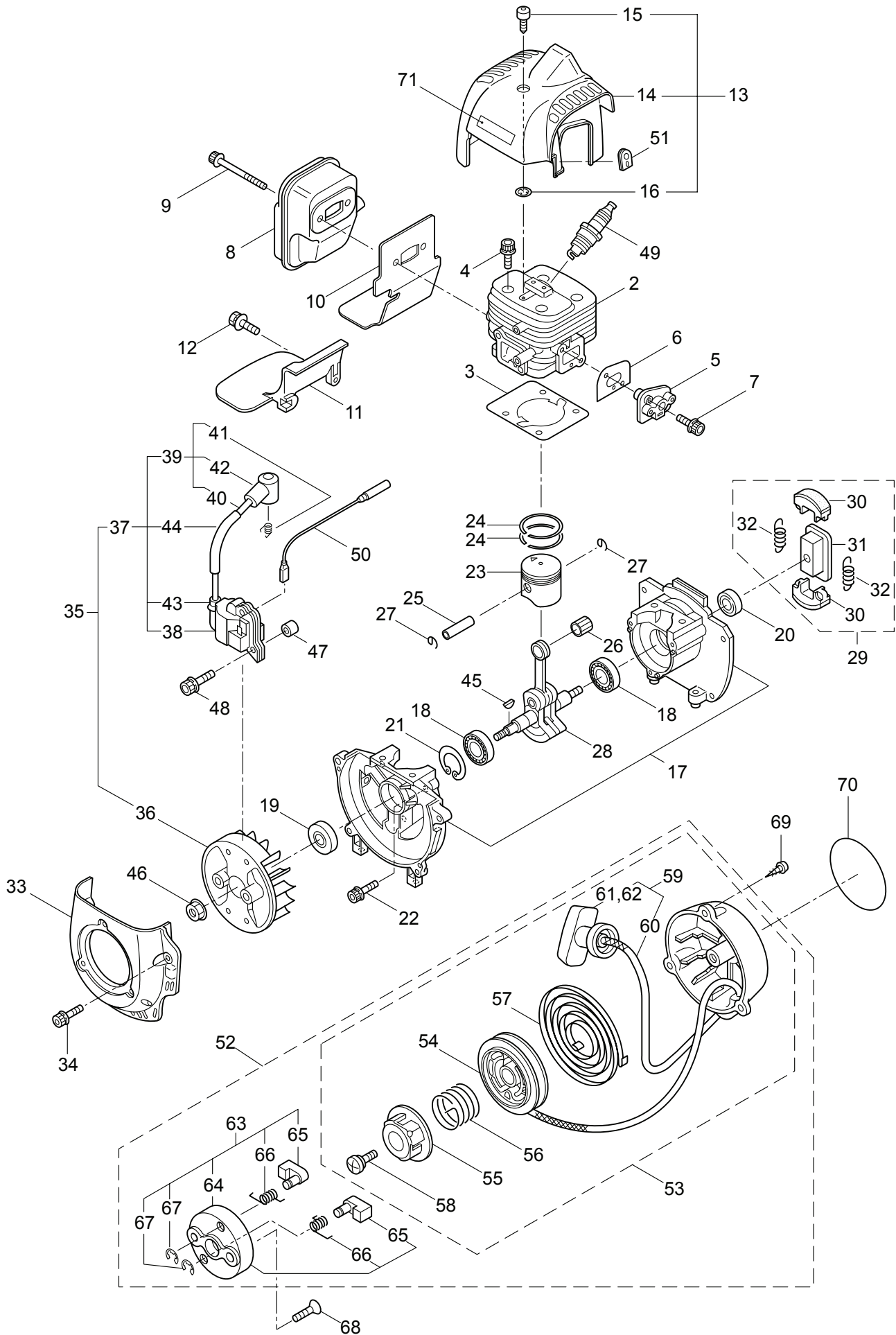
Ref. No.	Part No.	Part Name	Q'ty	Remarks
1-1	362345	HT233D-01	1	
1-2	271887	Guide Plate	1	
1-3	271888	Spacer Plate	1	
1-4	271889	Spacer	6	
1-5	271890	Washer	6	
1-6	271891	Upper Blade	1	
1-7	271892	Lower Blade	1	
1-8	271893	Blade Guard	1	
1-9	271894	Bush	4	
1-10	271895	Screw	1	
1-11	271896	Screw	1	
1-12	271897	Screw	2	
1-13	271898	Screw	3	
1-14	271899	Nut	4	
1-15	271901	Cover of Blade	1	
1-16	271902	Rear Handle Ass'y	1	Incl.17-35
1-17	271278	Rear Handle (L)	1	
1-18	271279	Rear Handle (R)	1	
1-19	271280	Lever,Throttle	1	
1-20	271281	Stop Lever	1	
1-21	271282	Lock Lever	1	
1-22	271283	Lock Lever Stopper	1	
1-23	271284	Rod	1	
1-24	271285	Switch	1	
1-25	271904	Cable Comp.	1	
1-26	271287	Spacer	1	
1-27	271288	Spring	1	
1-28	271289	Spring	1	
1-29	270400	Spring	1	
1-30	271276	Screw	5	
1-31	271274	Handle Stay (L)	1	
1-32	271275	Handle Stay (R)	1	
1-33	271276	Screw	3	
1-34	270424	Spacer	1	
1-35	271277	Spacer	2	
1-36	271905	Front Handle	1	
1-37	271906	Tail Pipe Cover	1	
1-38	271907	Tail Pipe Comp.	1	
1-39	271221	Tube	1	
1-40	270843	Washer	1	25x6xt1.6
1-41	271908	Screw	6	
1-42	271909	Screw	2	
1-43	271910	Screw	1	
1-44	271911	Screw	1	
1-45	271912	Screw	2	

1. HT233D-01
MAIN BODY



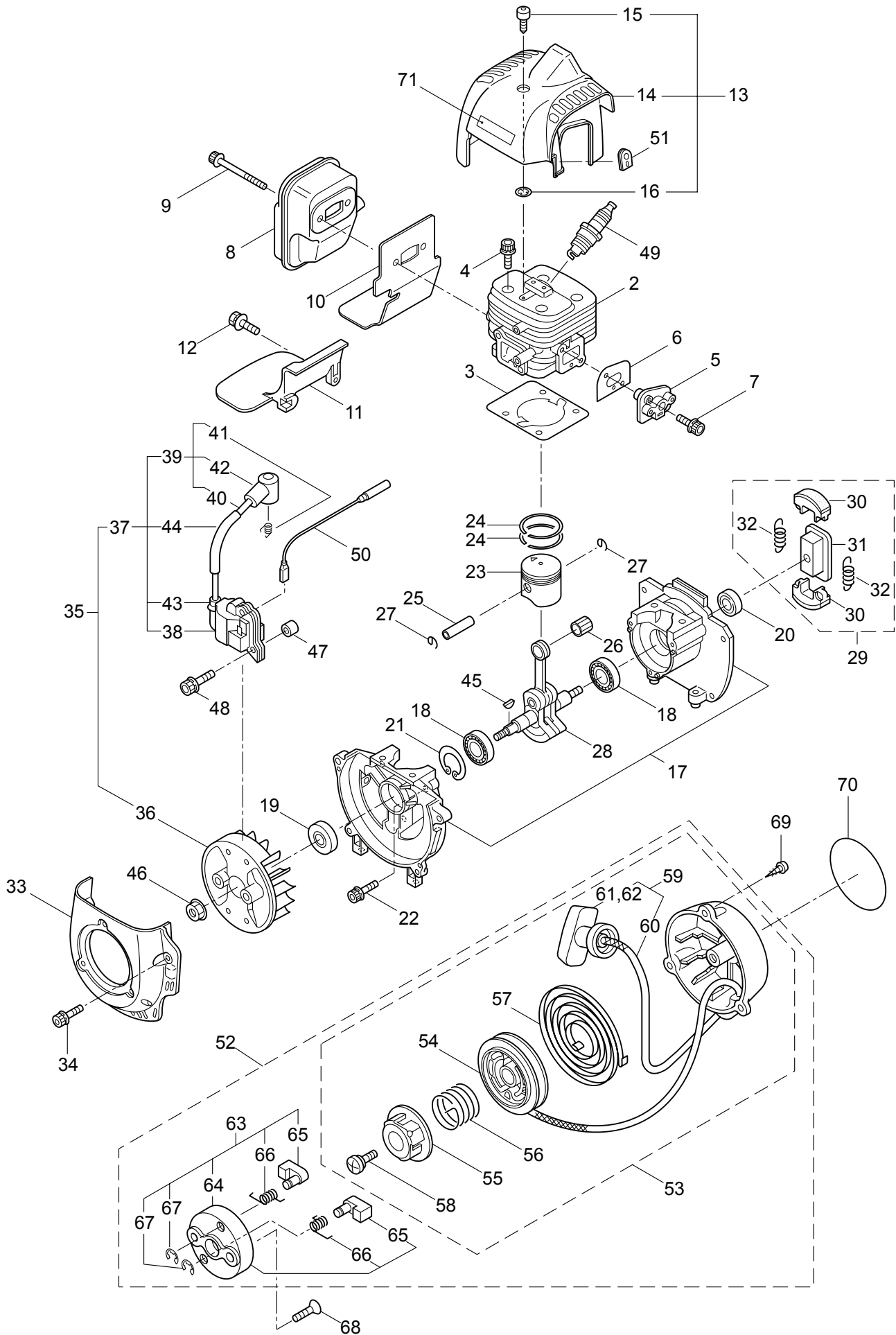
Ref. No.	Part No.	Part Name	Q'ty	Remarks
1-46	269433	Label	1	107dB
1-47	271914	Rod Ass'y	2	
1-48	271918	Upper Case	1	
1-49	271919	Pinion	1	
1-50	271920	Plate	1	
1-51	270021	Drum	1	
1-52	271921	Bearing	1	
1-53	580767	Bearing	1	#6001 2RS
1-54	991937	Grease Nipple	1	M6
1-55	271923	Lower Case	1	
1-56	271924	Plate	1	
1-57	270423	Bearing	1	
1-58	271925	Bearing	1	
1-59	271926	Crank Comp.	1	
1-60	271927	Felt	1	
1-61	271910	Screw	3	
1-62	266960	Label	1	
1-63	266957	Label	1	

2. HT233D-01
ENGINE



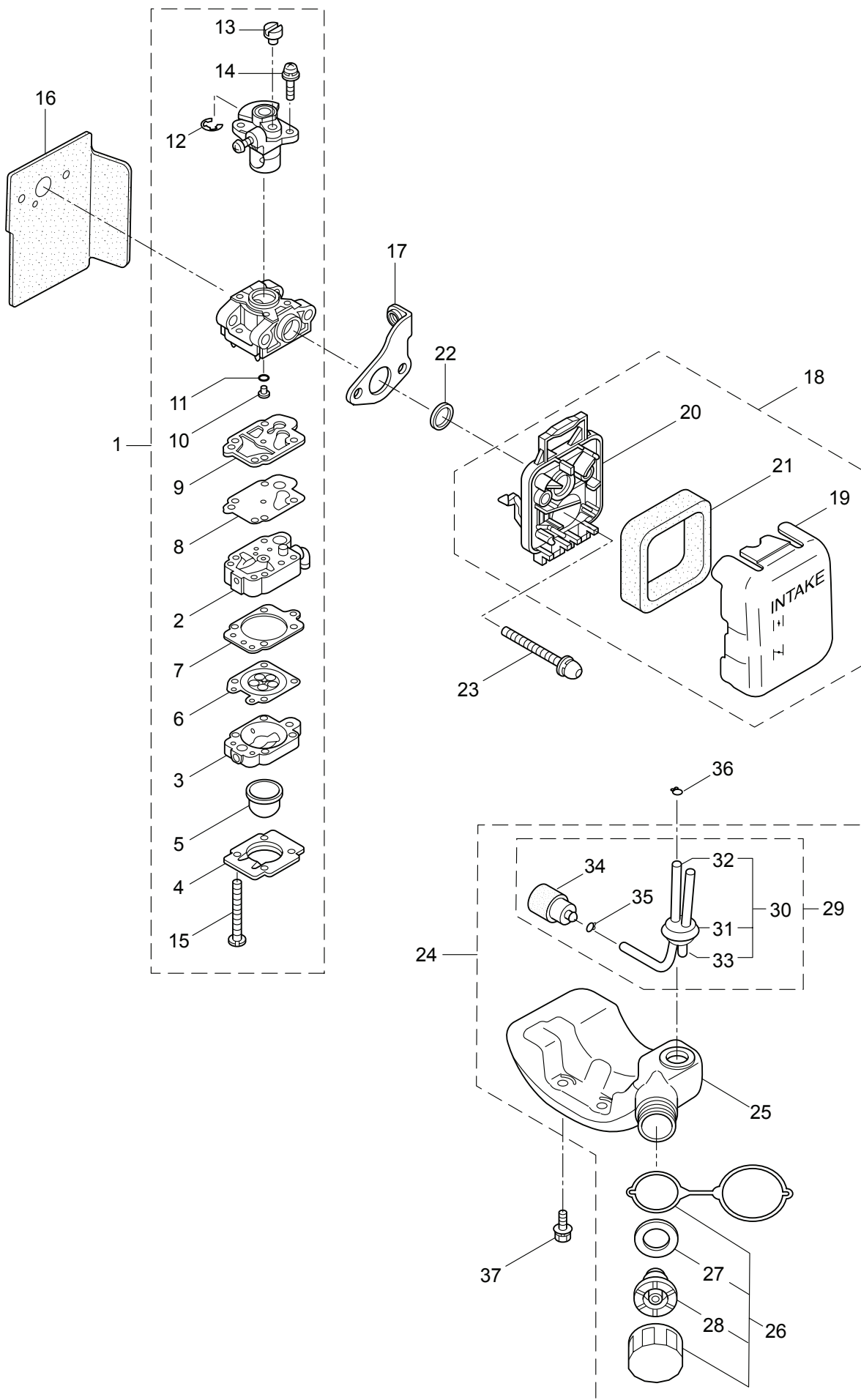
Ref. No.	Part No.	Part Name	Q'ty	Remarks
2-1	859119	Engine	1	CE230/61
2-2	288499	Cylinder	1	
2-3	286074	Gasket	1	
2-4	261250	Cap Screw	4	M5x20
2-5	265802	Insulator	1	New gasket required
2-6	267049	Gasket	1	
2-7	265924	Cap Screw	2	M5x25
2-8	289442	Muffler Ass'y	1	
2-9	266402	Cap Screw	2	M5x55
2-10	288506	Gasket	1	
2-11	288505	Under Cover	1	
2-12	267191	Cap Screw	1	M5x16
2-13	289464	Top Cover Ass'y	1	Incl.14-16
2-14	289402	Top Cover	1	
2-15	286399	Knob	1	M5
2-16	286270	Washer	1	M5
2-17	288537	Crankcase	1	
2-18	280488	Bearing	2	PPL 6001
2-19	261492	Oil Seal	1	ISCD12287
2-20	261386	Oil Seal	1	ISCD12227
2-21	055185	Snap Ring	1	#28
2-22	261246	Cap Screw	3	M5x25
2-23	268032	Piston	1	
2-24	282177	Piston Ring	2	
2-25	261036	Piston Pin	1	
2-26	263957	Bearing, Needle	1	KTV81112EG01 B2
2-27	261576	Clip,Piston	2	
2-28	288511	Crankshaft/Conn.Rod Ass'y	1	
2-29	280404	Clutch Ass'y	1	Incl.30-32
2-30	280568	Clutch Shoe	2	(2)required
2-31	280569	Clutch Boss	1	
2-32	280570	Spring	2	(2)required
2-33	288508	Fan Cover	1	
2-34	261250	Cap Screw	4	M5x20
2-35	271998	Magneto Ass'y	1	Incl.36-44
2-36	288515	Rotor/Fan	1	
2-37	271999	Ignition Coil Ass'y	1	Incl.38-44
2-38	272026	Coil	1	
2-39	272000	Spark Plug Wire Ass'y	1	Incl.40-42
2-40	289485	Spark Plug Wire	1	
2-41	272805	Connector	1	
2-42	272001	Plug Boot	1	
2-43	283271	Cap	1	
2-44	289486	Insulator	1	
2-45	261076	Woodruff Key	1	3x10

2. HT233D-01
ENGINE



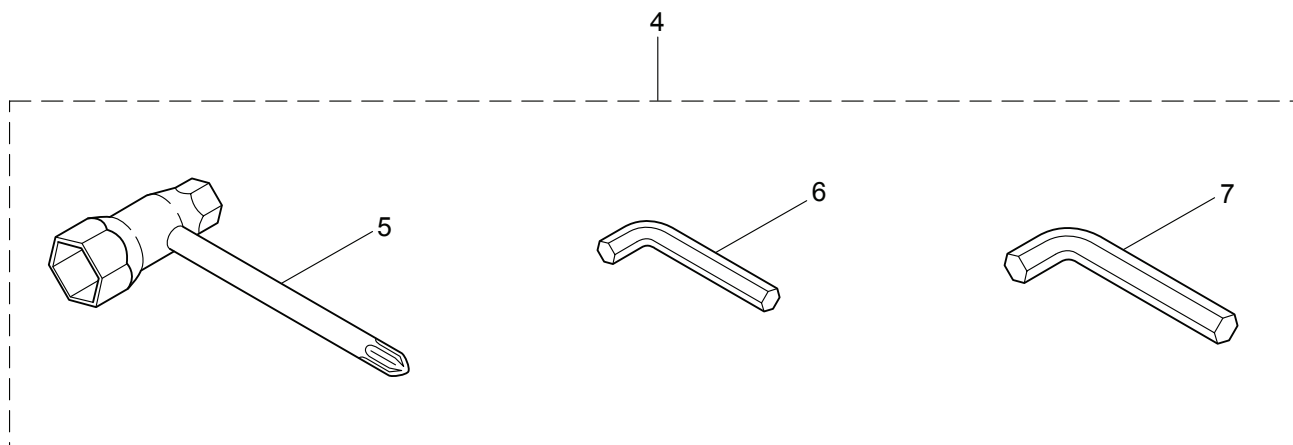
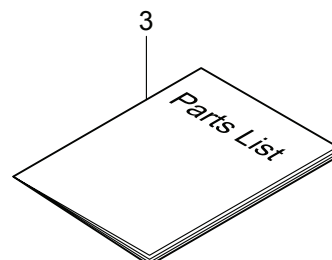
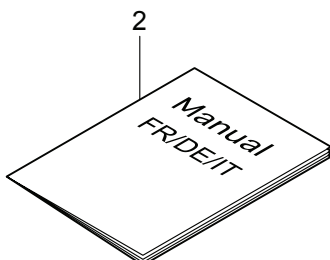
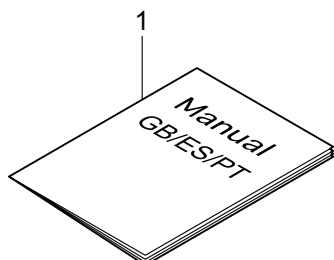
Ref. No.	Part No.	Part Name	Q'ty	Remarks
2-46	261417	Nut,Rotor	1	M8
2-47	280381	Spacer	2	
2-48	261256	Cap Screw	2	M4x25
2-49	288264	Spark Plug	1	NGK BPMP8Y
2-50	261772	Lead	1	
2-51	283140	Grommet	1	
2-52	283171	Recoil Starter Ass'y	1	Incl.53-67
2-53	283172	Starter Ass'y	1	Incl.54-62
2-54	286363	Reel	1	
2-55	286364	Cam Plate	1	
2-56	283290	Spring	1	
2-57	280931	Spiral Spring	1	
2-58	267213	Screw	1	
2-59	283291	Rope Ass'y	1	Incl.60-62
2-60	283292	Starter Rope	1	
2-61	261725	Starter Grip	1	
2-62	283293	Rope Stopper	1	
2-63	283173	Starter Pulley Ass'y	1	Incl.64-67
2-64	283294	Starter Pulley	1	
2-65	280936	Ratchet	2	
2-66	283295	Spring	2	
2-67	020299	E-Ring	2	#4
2-68	264535	Screw	2	M6x20
2-69	280144	Tapping Screw	3	
2-70	289447	Label	1	HT233D
2-71	266959	Label	1	Caution

3. HT233D-01
 CARBURETOR, FUEL TANK



Ref. No.	Part No.	Part Name	Q'ty	Remarks
3-1	288460	Carburetor Ass'y	1	Incl.2-15
3-2	268499	Pump Body	1	
3-3	262991	Purge Body	1	
3-4	262992	Cover Plate	1	
3-5	261874	Primer Bulb	1	
3-6	283905	Diaphragm, Meterring	1	
3-7	262993	Gasket	1	
3-8	262994	Diaphragm,Fuel Pump	1	
3-9	282576	Gasket	1	
3-10	289396	Main Jet	1	
3-11	261871	O-Ring	1	
3-12	261876	E-Ring	1	
3-13	261658	Swivel	1	
3-14	264682	Screw	2	
3-15	262996	Screw	4	
3-16	288517	Gasket	1	
3-17	268535	Stay	1	
3-18	266420	Cleaner Ass'y	1	Incl.19-21
3-19	264709	Cover	1	
3-20	266433	Housing	1	
3-21	264695	Filter	1	
3-22	268963	Gasket	1	19.4x14.8xt3.5
3-23	264016	Cap Screw	2	M5x60
3-24	289444	Fuel Tank Ass'y	1	Incl.25-35
3-25	288519	Fuel Tank	1	
3-26	283438	Tank Cap Ass'y	1	Incl.27,28
3-27	283727	Gasket	1	
3-28	283764	Breather Ass'y	1	
3-29	265752	Fuel Pipe Pick-up Ass'y	1	Incl.30-35
3-30	264031	Fuel Pipe Ass'y	1	Incl.31-33
3-31	261115	Grommet	1	
3-32	261690	Fuel Pipe	1	160L
3-33	263038	Return Pipe	1	3x6x85L
3-34	264653	Filter Ass'y	1	
3-35	261117	Clip	1	
3-36	261117	Clip	1	
3-37	269690	Cap Screw	4	M5x18

4. HT233D-01
ACCESSORIES



Ref. No.	Part No.	Part Name	Q'ty	Remarks
4-1	271825	Instruction Manual	1	GB/ES/PT
4-2	271827	Instruction Manual	1	FR/DE/IT
4-3	523496	Parts List	1	HT233D-01
4-4	264606	Tool Set	1	Incl.5-7
4-5	264607	Box Spanner	1	10x19x(+)
4-6	219431	Wrench	1	3mm
4-7	219432	Wrench	1	4mm